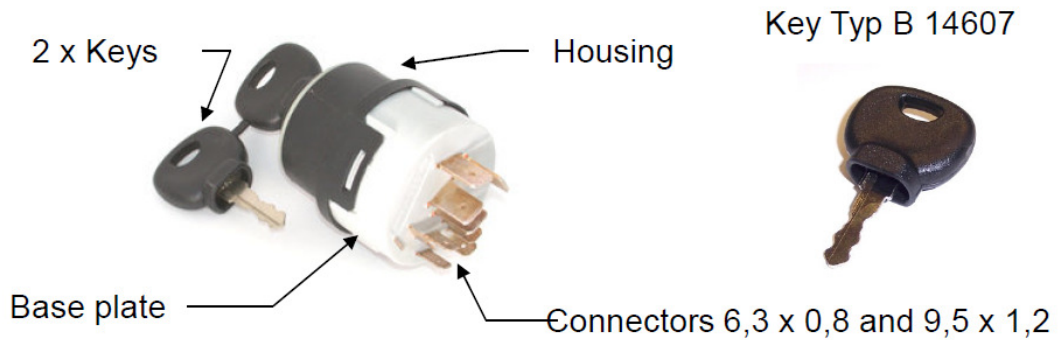




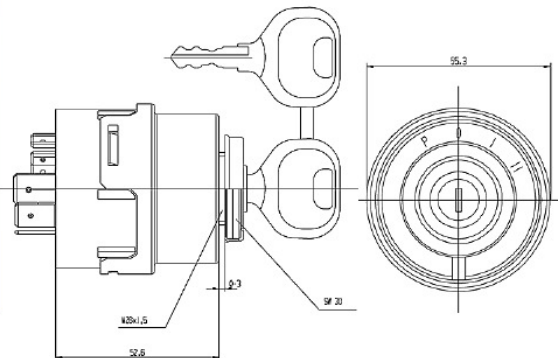
Technical Specification

Starter switch

Pneutron-Part No.: 205 006 03



- Water protection :	Lock barrel / Key			
- Operating voltage :	12 V	24 V	Load time	
- Maximal Load:	30 – 15/54	35 A	17,5 A	100%
	30 – 19	70 A	30 A	2 min.
	30 – 17	70 A	30 A	1 min.
	30 – 50a	70 A	40 A	short -time
	30 – 50a	18 A	5A	1 min.
- Max. voltage drop :	250 mV			
- Number of circuit :	50.000 – mechanical			
- Start retry barrier :	Yes			
- Pre glow function :	Yes			
- Environmental temperature :	+ 85° C / - 40° C			
- Number of pins :	9			



Circuit diagram

	0	I	II	III
30 -- 15/54		←		
30 ---19		←		
30 ---17		←		
30 ---50a		←		