

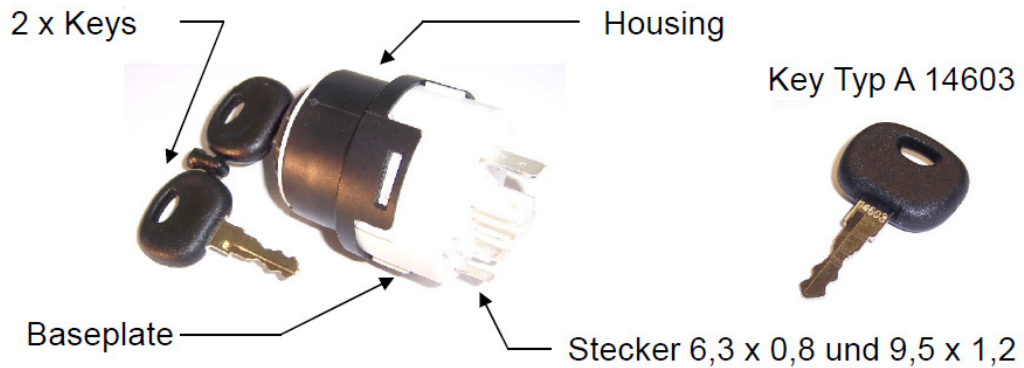


Technical Specification

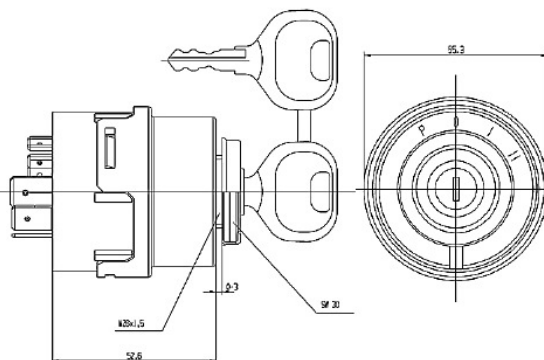
Starter switch

Pneutron-Part No.: 205 002 02

Kramer No.: 1000125516



- Water protection :	lock barrel			
- Operating voltage :	12 V	24 V	Load time	
- Maximal Load:	30 – 58	8 A	4 A	100 %
	30 – 15/54	35 A	17,5A	100 %
	30 – 19	70 A	30 A	2 min
	30 – 17	70 A	30 A	1 min
	30 – 50a	70 A	40 A	short-time
	30 – 50a	18 A	5 A	1 min
- Number of circuits :	50.000 – mechanical			
- Start retry circuit :	Yes			
- Pre glow function :	Yes			
- Environmental temperature :	+85°C/- 40°C			
- Number of pins :	10			



Circuit diagram

	P	O	I	II	III
30 ---58	■				
30 -- 15/54			■	■	■
30 ---19			■	■	■
30 ---17			■	■	■
30 ---50a			■	■	■