

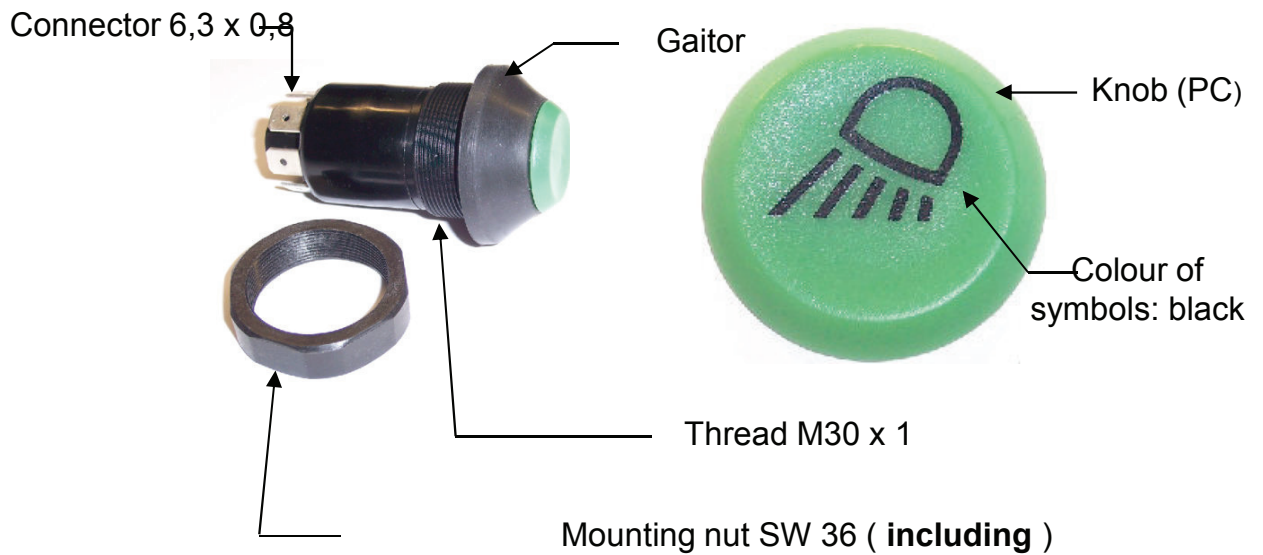


# Technical Specification

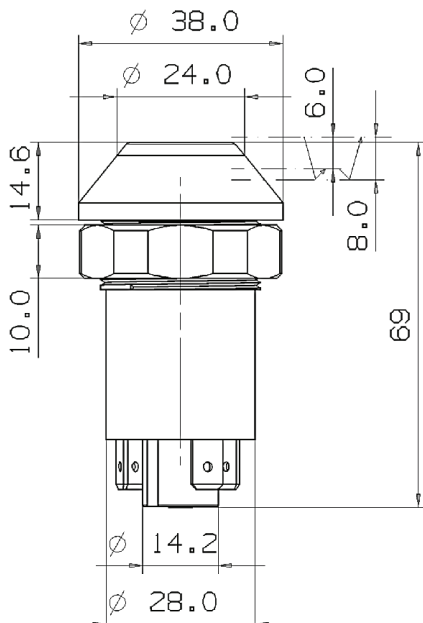
Push Switch with interlock function

Switch: „ Working light “

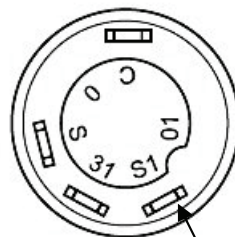
Pneutron-Part No.: 11110210AX



Knob with symbol „Working light“ (Part No.):	11346890XX
Knob Colour:	green ( matt )
Symbol – Colour:	black
Illumination lamp:	12 V / 1,2 W

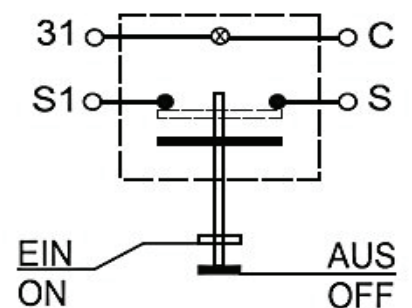


Connectors



Pins 6,3 x 0,8

Circuit diagram



mit Arretierung  
with locking