



Technical Specification

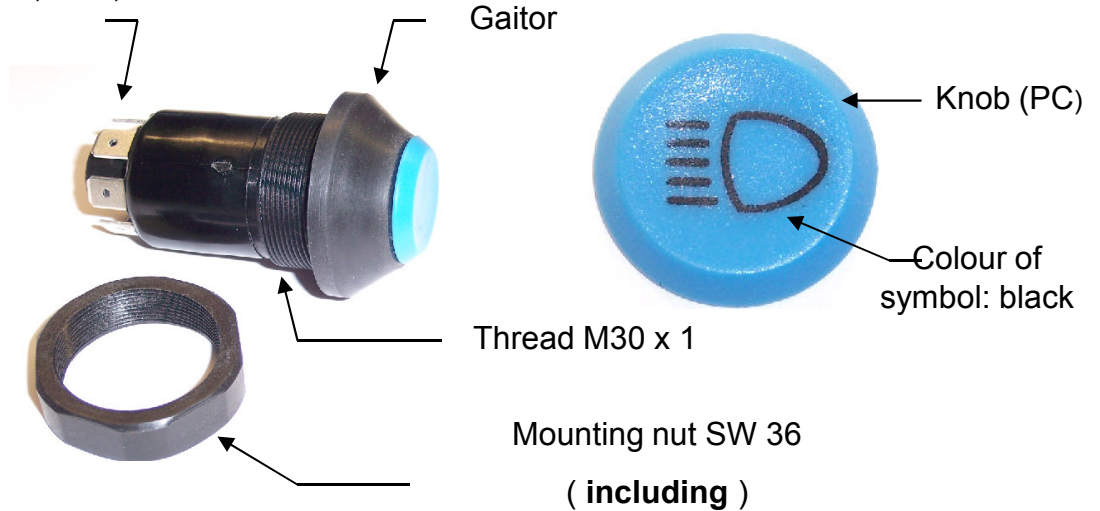
Push Switch with interlock function

Switch: „Traveling light“

Pneutron-Part No.: 11112100XX

Hamm No.: 00267740

Connector 6,3 x 0,8



Knob with symbol „Traveling light“ (Part No.):

11336290XX

Knob Colour:

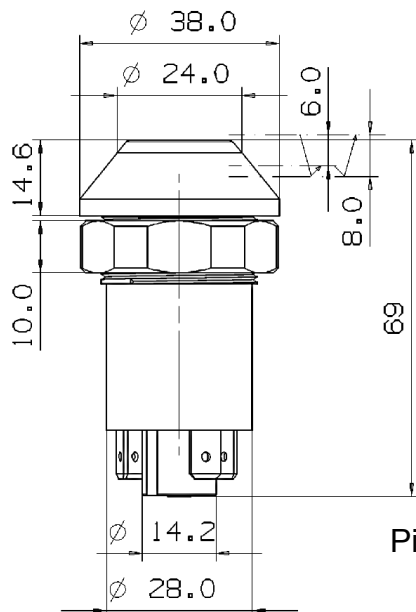
blue (matt)

Symbol – Colour:

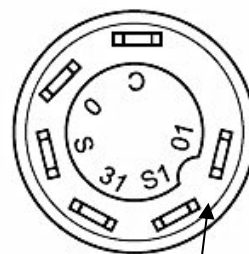
black

Illumination lamp:

12 V – 1,2 W

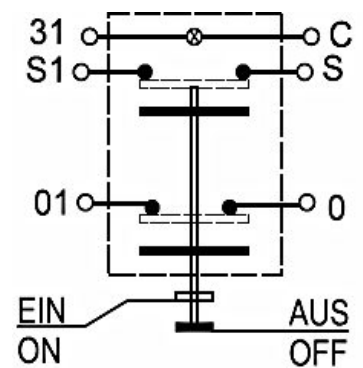


Connectors



Pins 6,3 x 0,8

Curcuit diagram



mit Arretierung
with locking