



Technical Specification

Push Switch with interlock function

Switch: „Traveling light“

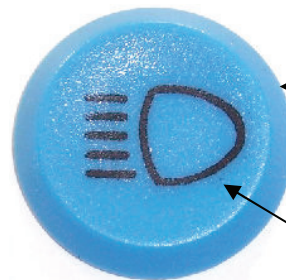
Pneutron-Part No.: 11120140XX

BOMAG No.: 05761013 ; JCB No.: 701/08000 ; O&K No. 1589946 ;
Massey Ferguson No.: 3380342M91 ; VIBROMAX No.: 08102/02211

Connector 6,3 x 0,8



Gaitor



Knob (PC)

Colour of symbol: black

Thread M30 x 1

Mounting nut SW 36

(including)

Knob with symbol „Traveling light“ (Part No.:):

11336290XX

Knob Colour:

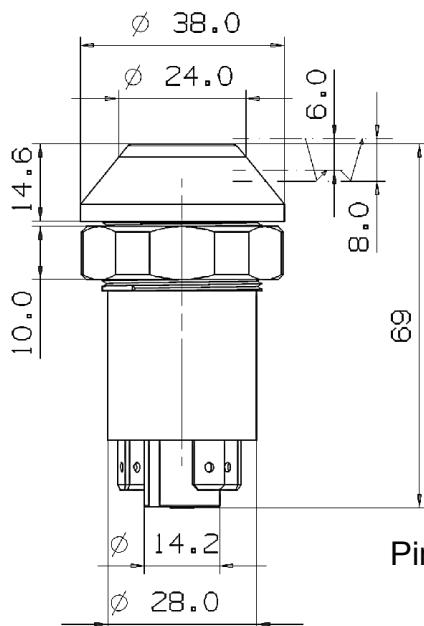
blue matt

Symbol – Colour:

black

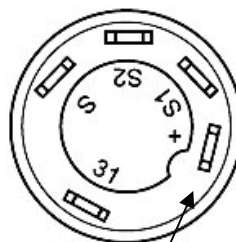
Illumination lamp:

12V – 1,2 W

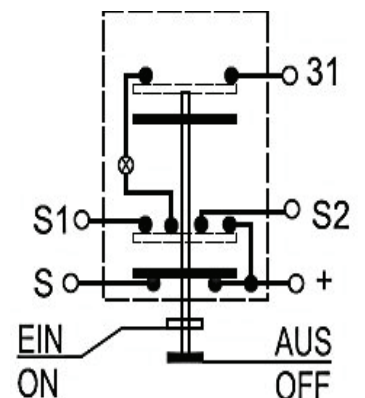


Pins 6,3x0,8

Connectors



Circuit diagram



mit Arretierung
with locking