



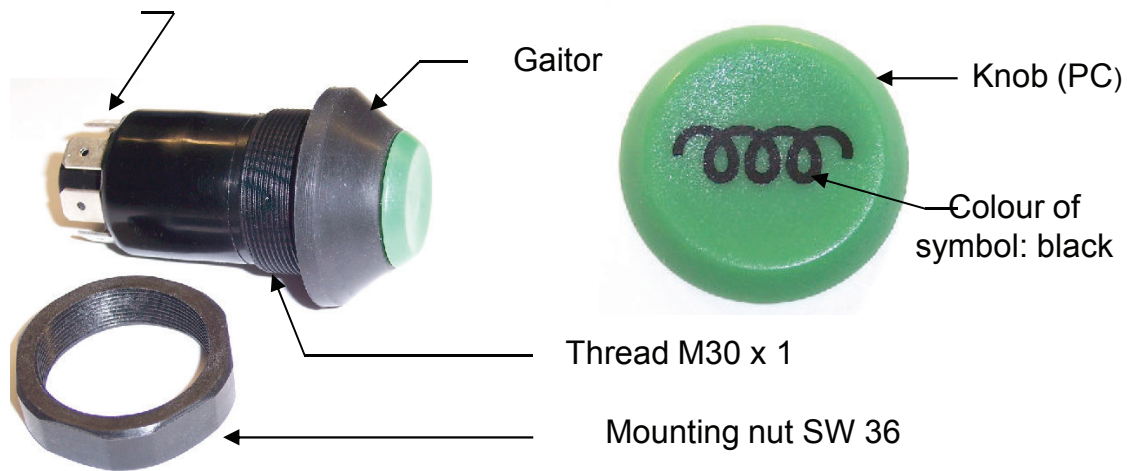
Technical Specification

Push Switch with interlock function

Switch: „ Heating “

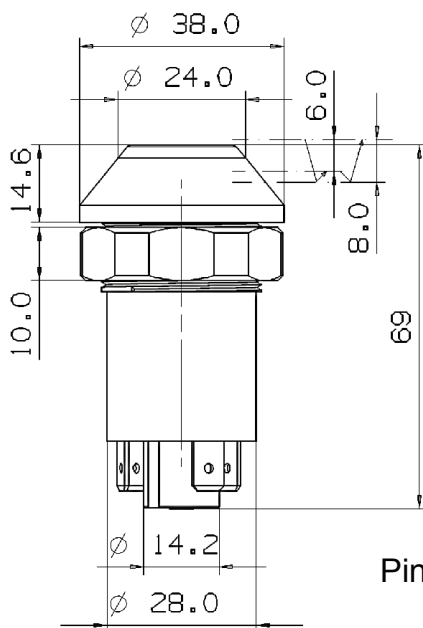
Pneutron-Part No.: 11130150XX

Connector 6,3 x 0,8

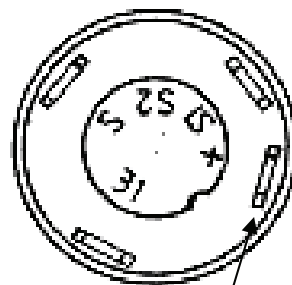


(including)

Knob with symbol: „ Heating “ (Part No.:	11346360XX
Knob Colour:	green (matt)
Symbol – Colour:	black
Illumination lamp:	12 V – 1,2 W

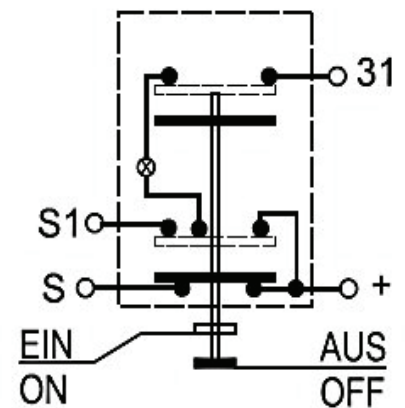


Connectors



Pins 6,3 x 0,8

Circuit diagram



mit Arretierung
with locking