



Technical Specification

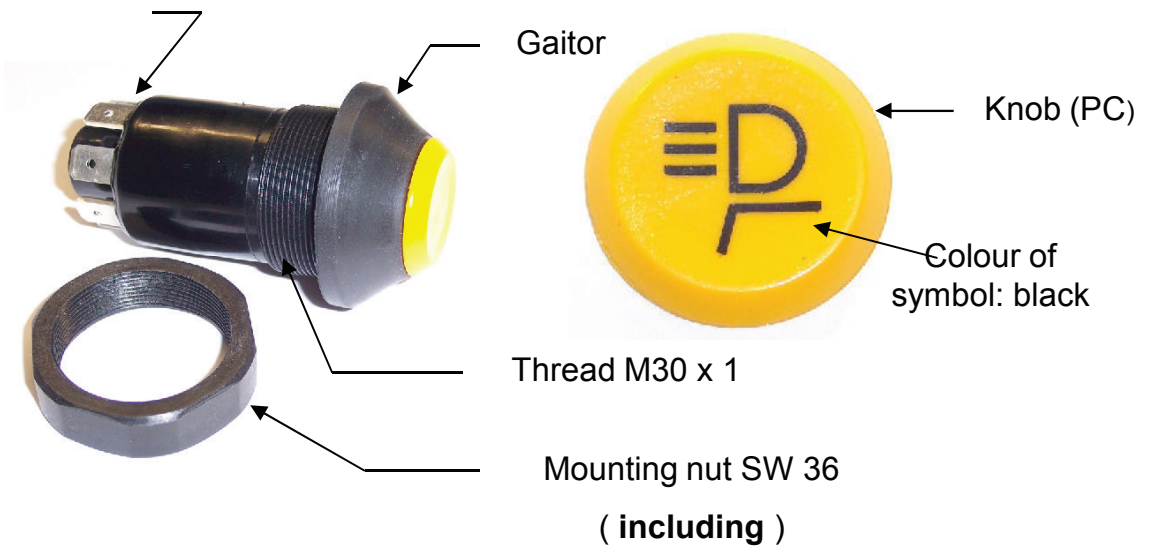
Push Switch with interlock function

Switch: „ Roof mounted search light “

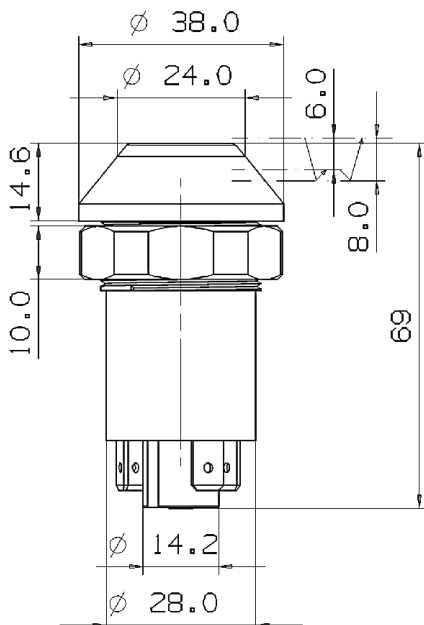
Pneutron-Part No.: 11145300XX

Case New Holland No.: 133 700 58 0007

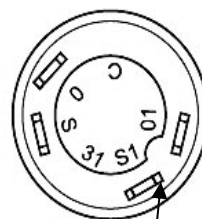
Connector 6,3 x 0,8



Knob with symbol „Roof mounted search light“ (Part No.):	11316370XX
Knob Colour:	yellow(matt)
Symbol – Colour:	black
Illumination lamp:	no

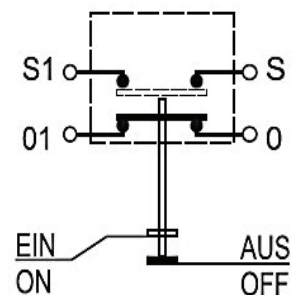


Connectors



Pins 6,3x0,8

Circuit diagram



mit Arretierung
with locking