



Technical Specification

Push Switch with interlock function

Switch: „ Interval wiper “

Pneutron-Part No.: 11145110XX

FENDT No.: X830.240.087.000

Case New Holland No.: 133700580005

Connector 6,3 x 0,8



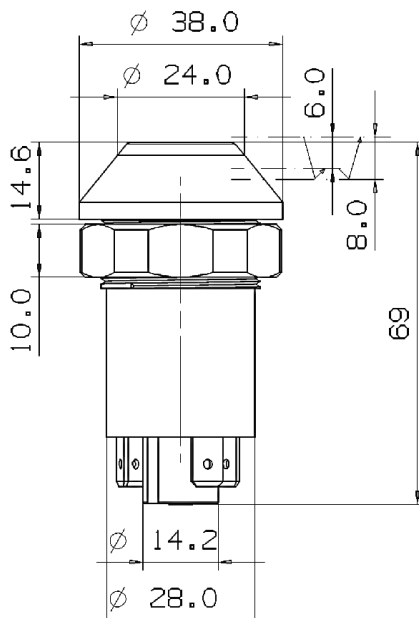
(including)

Knob with symbol „Interval wiper“ (Part No. :) 11316970XX

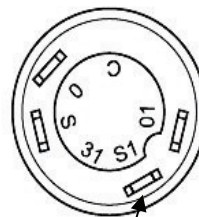
Knob Colour: yellow (matt)

Symbol – Colour: black

Illumination: no

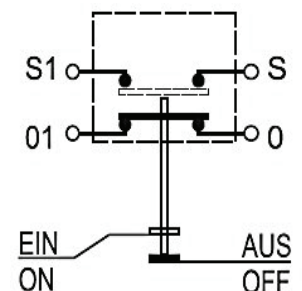


Connectors



Pins 6,3x0,8

Circuit diagram



mit Arretierung
with locking