



Technisches Datenblatt

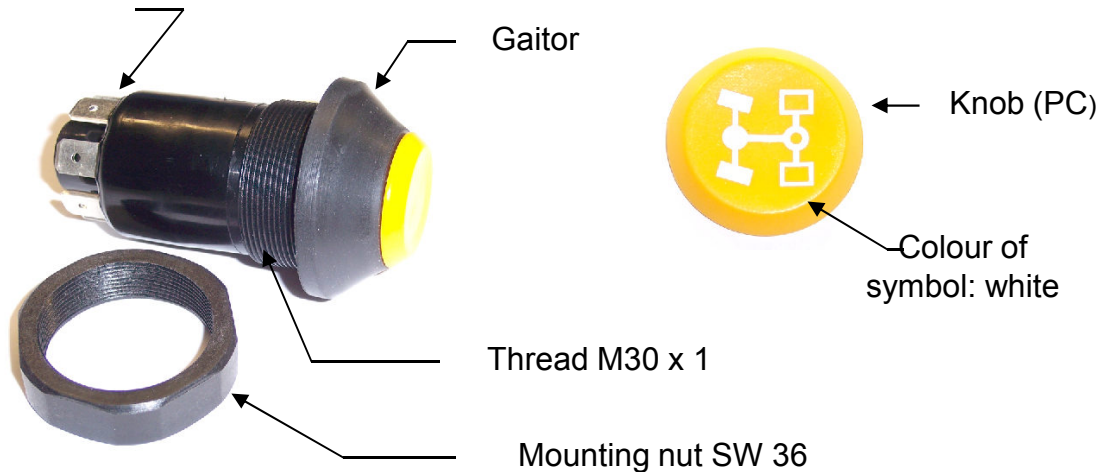
Push Switch with interlock function

Switch: „ Front wheel drive “

Pneutron-Part No.: 11175010XX

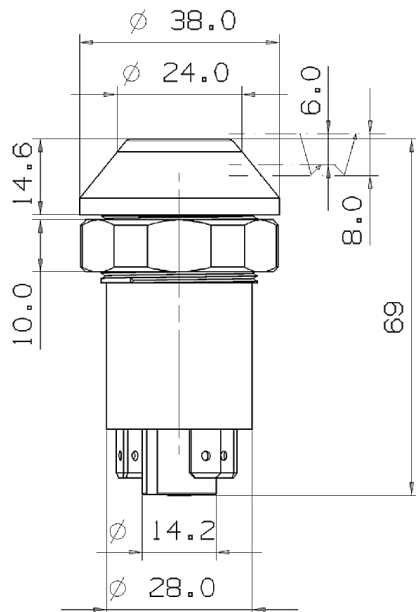
Same Deutz Fahr No.: 2.7659.114.0

Connector 6,3 x 0,8

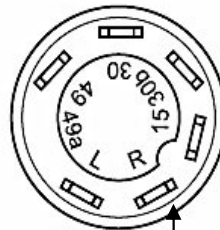


(including)

Knob with symbol „ Front wheel drive“ (Part No.:):	11310140XX
Knob Colour:	yellow (matt)
Symbol – Colour:	white
Illumination lamp:	12 V / 1,2 W



Connectors



Pins 6,3x0,8

Circuit diagram

