



Technical Specification

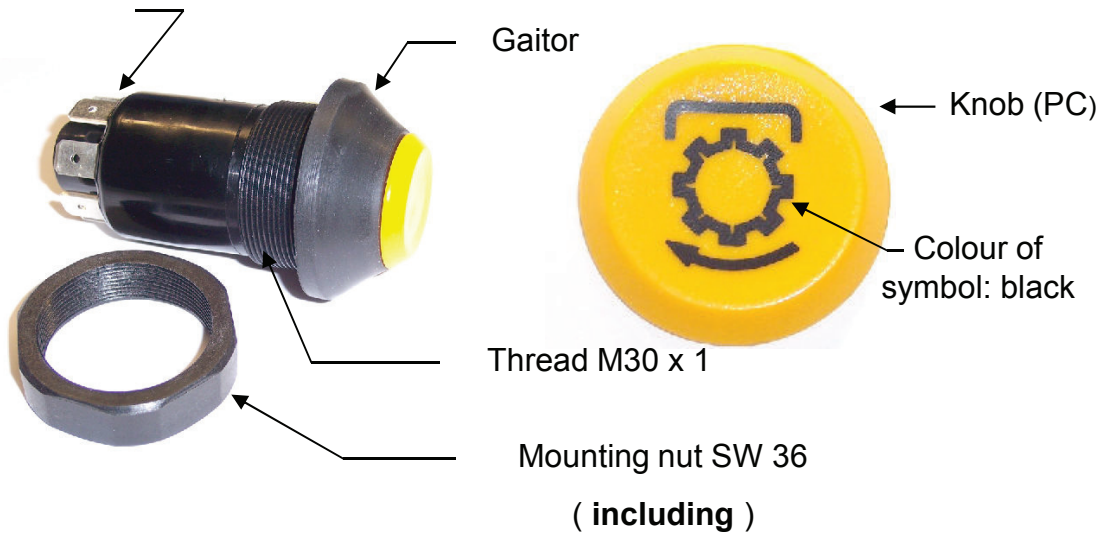
Push Switch with interlock function

Switch: „ Gearshift “

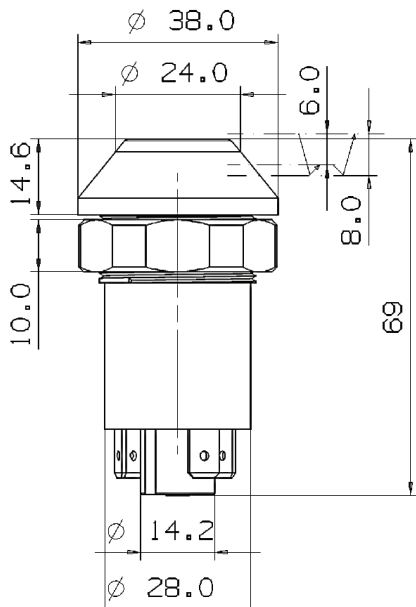
Pneutron-Part No.: 11175190XX

Same Deutz Fahr No.: 2.7659.108.0/10

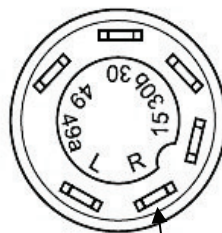
Connector 6,3 x 0,8



Knob with symbol „ Gearshift“ (Part No.:):	11316640XX
Knob Colour:	yellow (matt)
Symbol – Colour:	black
Illumination lamp:	12 V / 1,2 W

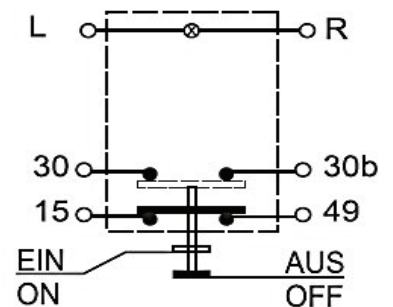


Connectors



Pins 6,3x0,8

Circuit diagram



mit Arretierung
with locking