



# Technical Specification

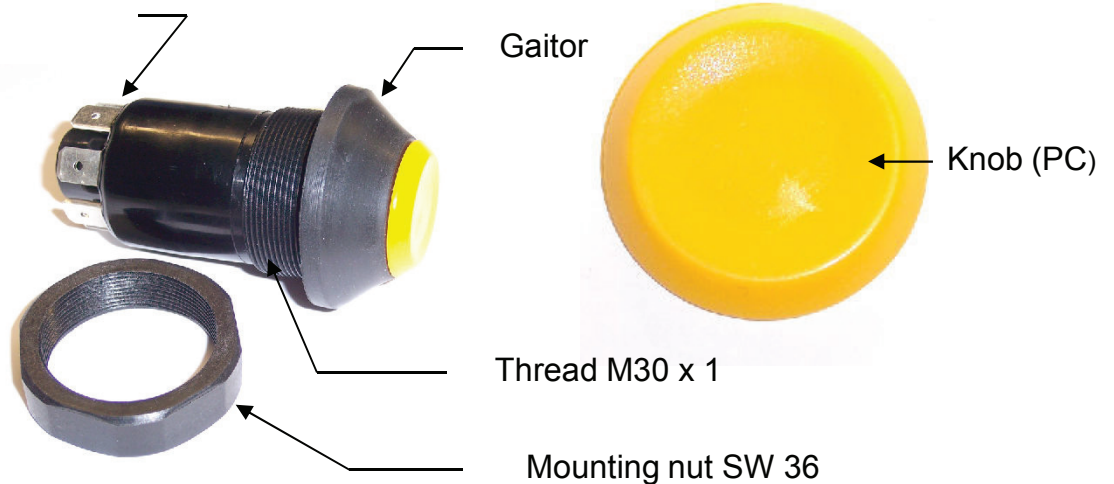
Push Switch with interlock function

Switch: „ without Symbol “

Pneutron-Part No.: 11175160XX

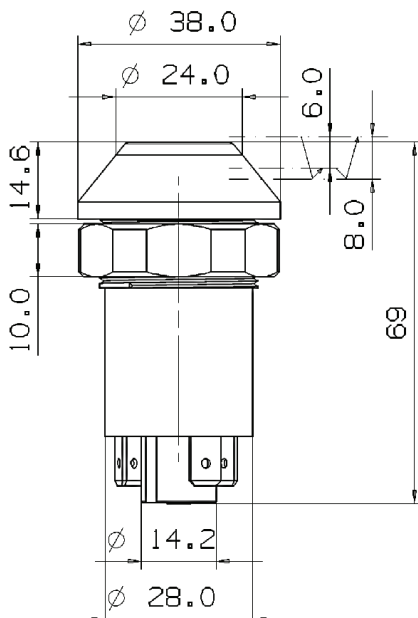
Same Deutz Fahr No.: 2.7659.095.0

Connector 6,3 x 0,8

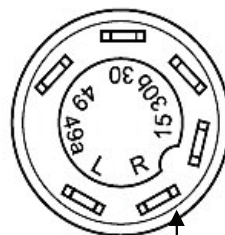


( including )

Knob with symbol „ without Symbol “ ( Part No.: )	11310000XX
Knob Colour:	yellow ( matt )
Symbol – Colour:	no
Illumination lamp:	12 V / 1,2 W

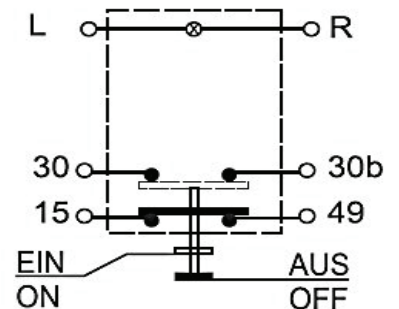


Connectors



Pins 6,3x0,8

Circuit diagram



mit Arretierung  
with locking