



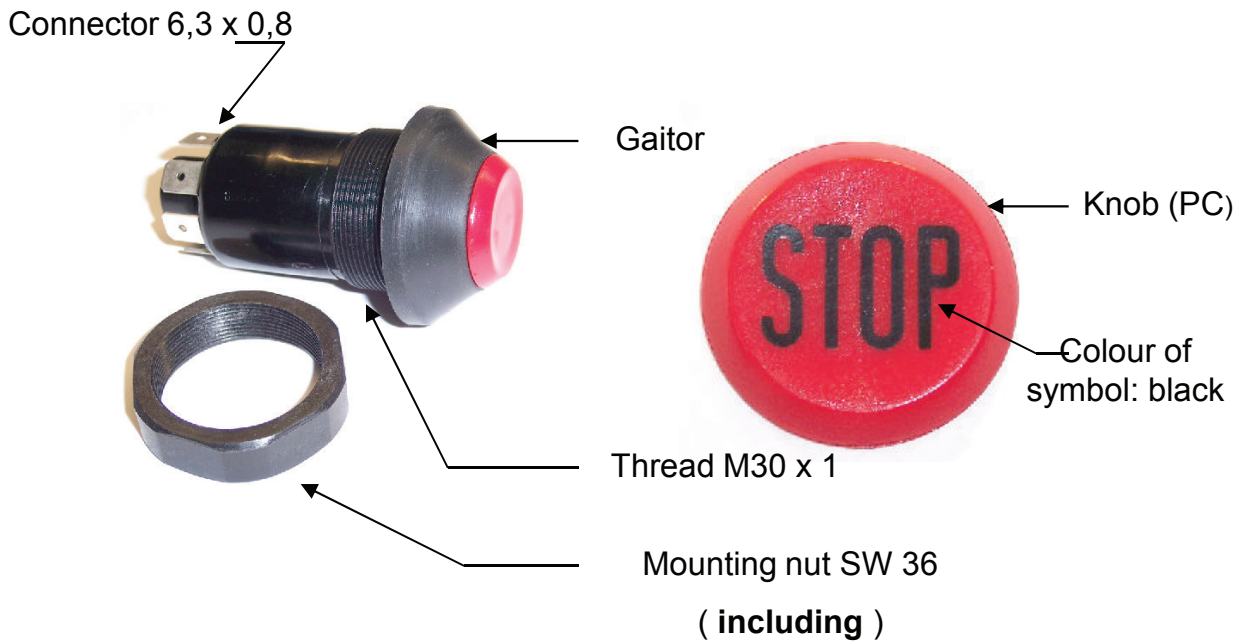
Technical Specification

Push Switch with interlock function

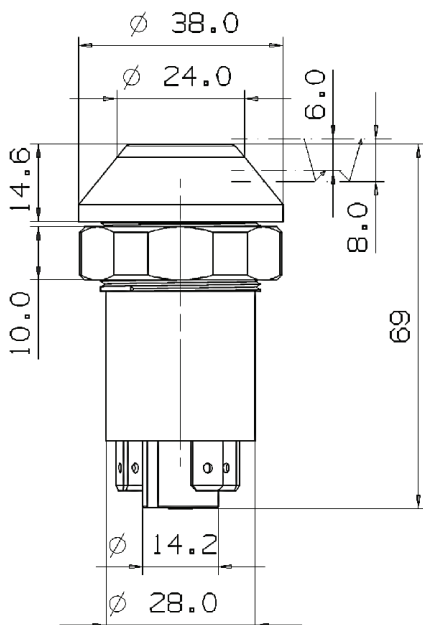
Switch: „ Stop “

Pneutron-Part No.: 11175200XX

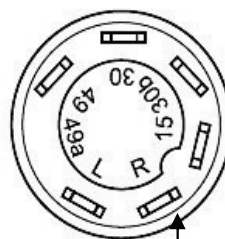
Same Deutz Fahr No.: 2.7659.113.0



Knob with symbol „ STOP “ (Part No.:):	11356540XX
Knob Colour:	red (matt)
Symbol – Colour:	black
Illumination lamp:	12 V / 1,2 W



Connectors



Pins 6,3x0,8

Circuit diagram

