



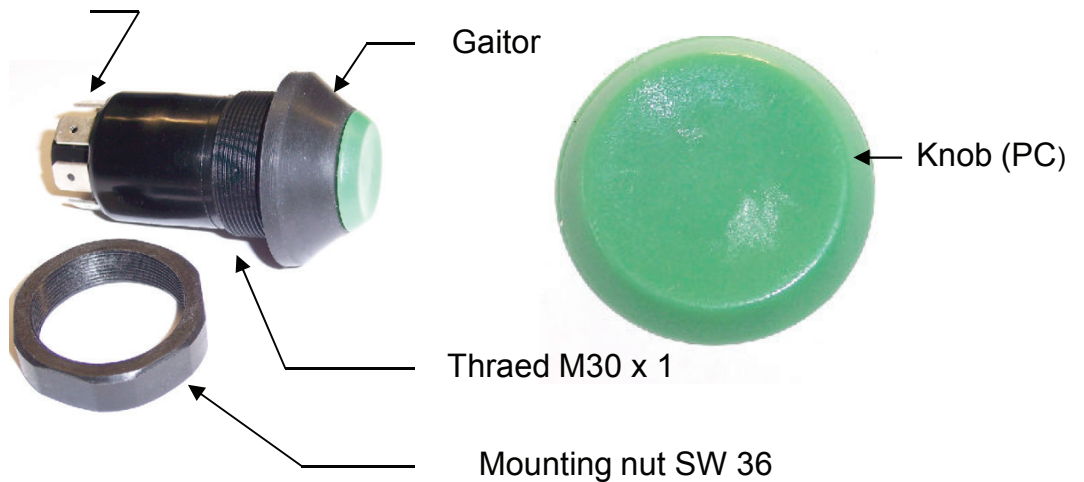
# Technical Specification

Push Switch with interlock function

Switch: „ Neutral “

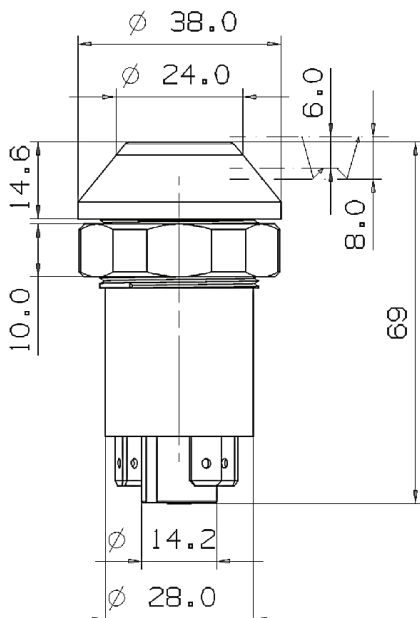
Pneutron-Part No.: 11175210XX

Connector 6,3 x 0,8

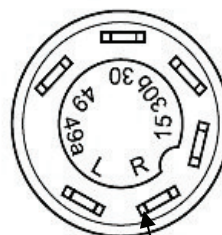


( including )

Knob with symbol : „ without Symbol“ ( Part No.: ):	11340000XX
Knob Colour:	green ( matt )
Symbol – Colour:	no
Illumination lamp:	12 V / 1,2 W



Connectors



Pins 6,3x0,8

Circuit diagram

