



Technical Specification

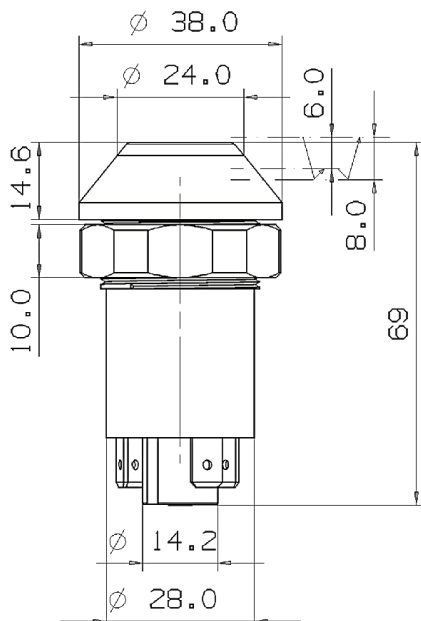
Push Switch with interlock function

Switch: „ASM“

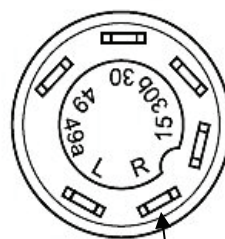
Pneutron-Part No.: 11175380XX



Knob with symbol „ASM“ (Part No.:):	11316220AX
Knob Colour:	yellow (matt)
Symbol – Colour:	black
Illumination lamp:	12 V / 1,2 W



Connectors



Pins 6,3x0,8

Circuit diagram

