

Technical Specification

Push Switch without interlock function

Switch: „Flashing light“

Pneutron-Part No.: 11210350XX

Connector 6,3 x 0,8



Gaitor

Knob (PC)

Colour of symbol: black

Thread M30 x 1

Mounting nut SW 36

(including)

Knob with symbol „Flashing light“ (Part No.:):

11316330XX

Knob Colour:

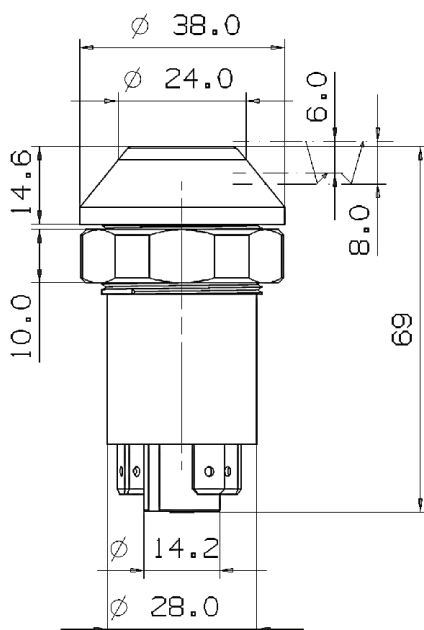
yellow (matt)

Symbol – Colour:

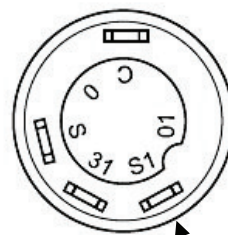
black

Illumination lamp:

12 V – 1,2 W

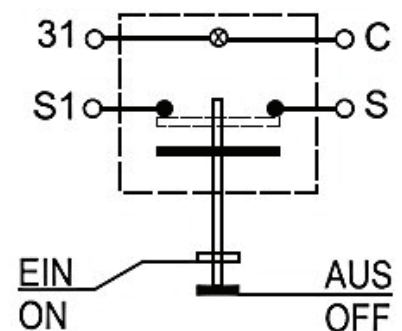


Connectors



Pins 6,3x0,8

Circuit diagram



ohne Arretierung
without locking