



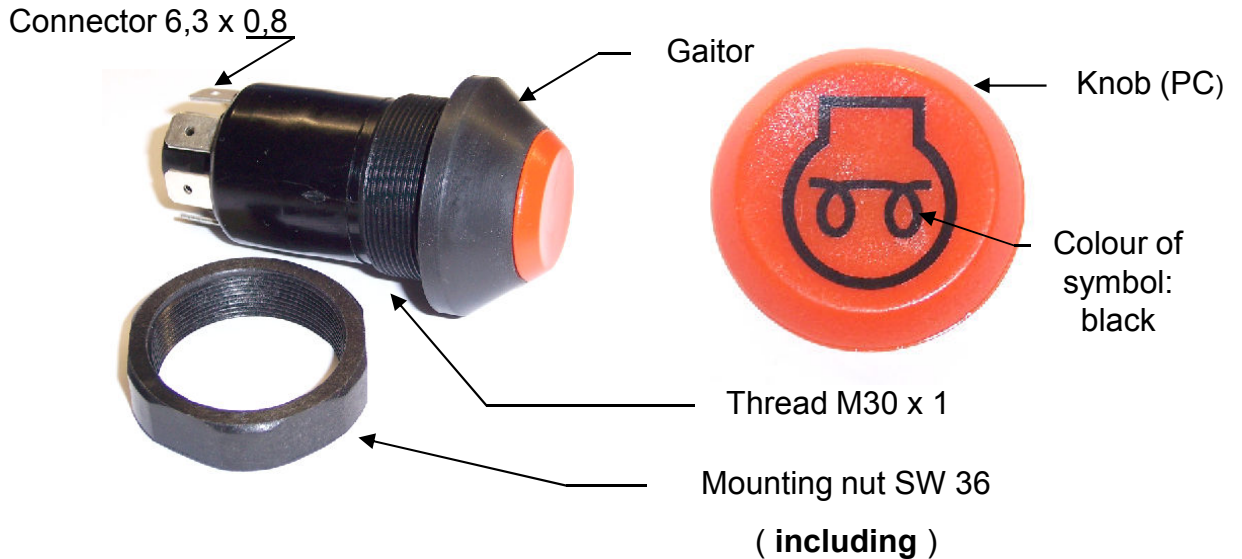
Technical Specification

Push Switch without interlock function

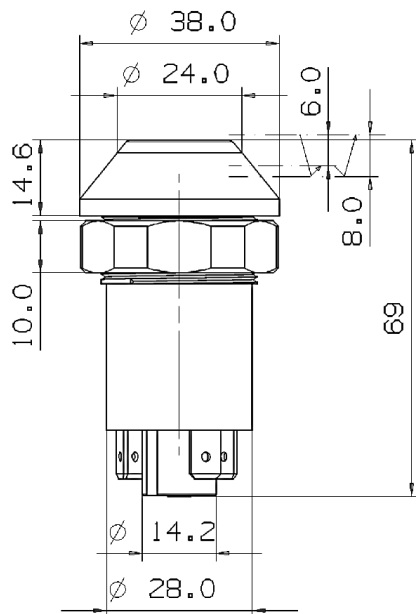
Switch: „ Initial aid “

Pneutron-Part No.: 11210520XX

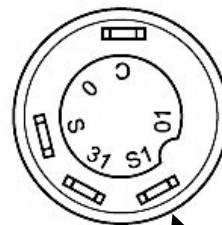
Same Deutz Fahr No.: 2.7659.250.0/10



Knob with symbol „Initial aid“ (Part No.:):	11326140AX
Knob Colour:	orange (matt)
Symbol – Colour:	black
Illumination lamp:	12 V – 1,2 W

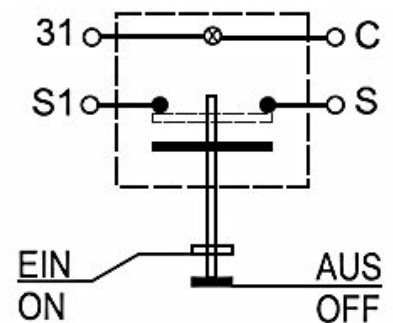


Connectors



Pins 6,3x0,8

Circuit diagram



ohne Arretierung
without locking