

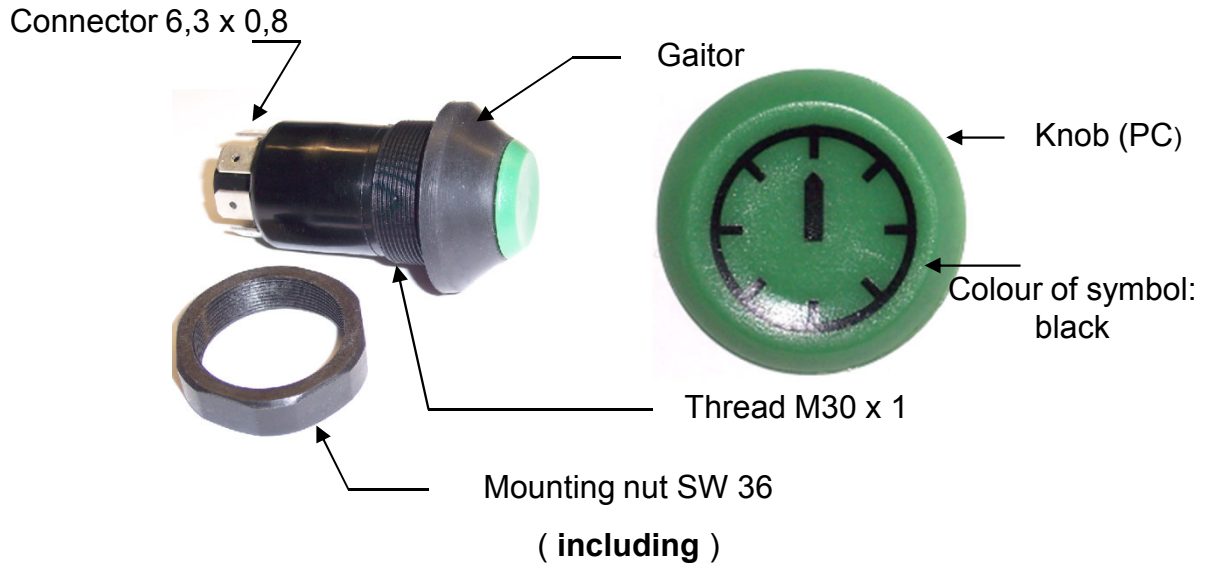


Technical Specification

Push Switch without interlock function

Switch: „ Display “

Pneutron-Part No.: 11215400XX



Knob with symbol „Display“ (Part No.:):

11346230AX

Knob Colour:

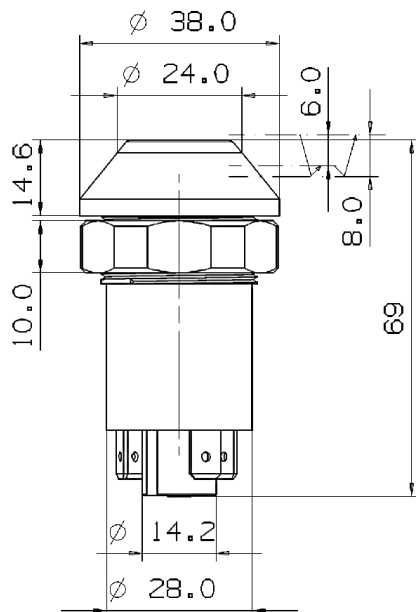
green (matt)

Symbol – Colour:

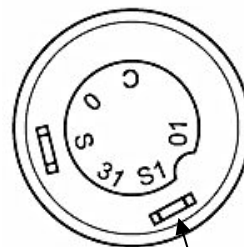
black

Illumination:

no

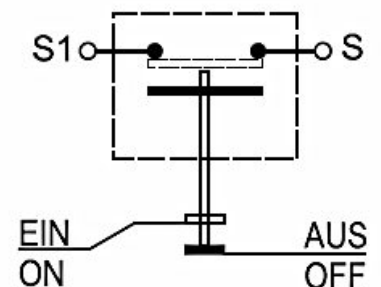


Connectors



Pins 6,3x0,8

Circuit diagram



ohne Arretierung
without locking