

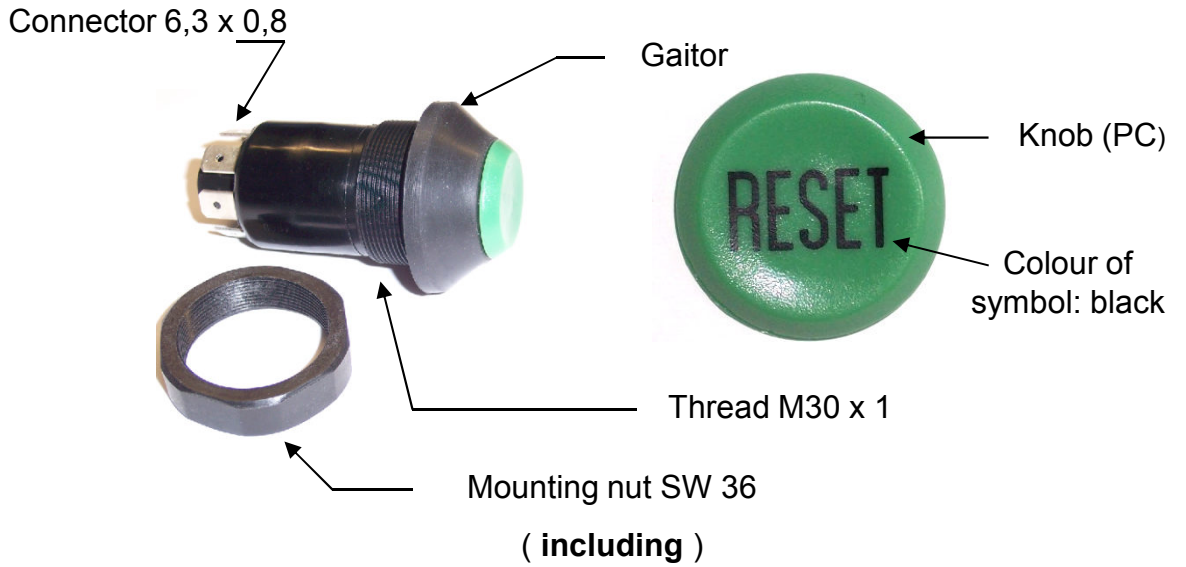


Technical Specification

Push Switch without interlock function

Switch: „ RESET “

Pneutron-Part No.: 11215410XX



Knob with symbol „RESET“ (Part No.:):

11346240AX

Knob Colour:

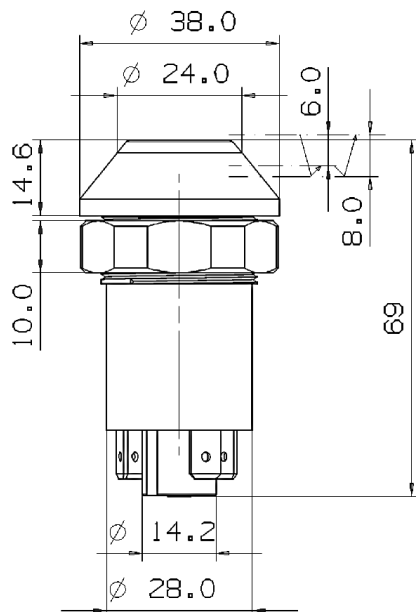
green (matt)

Symbol – Colour:

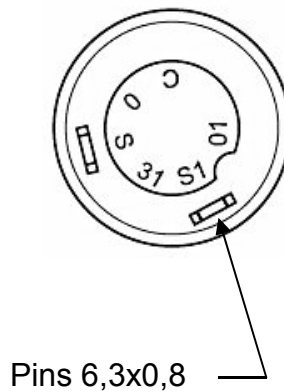
black

Illumination:

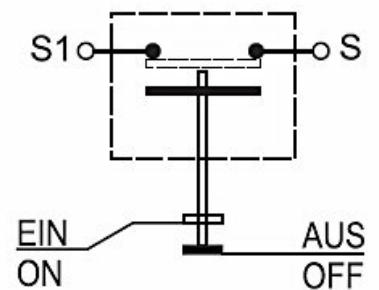
no



Connectors



Circuit diagram



ohne Arretierung
without locking