



Technical Specification

Push Switch without interlock function

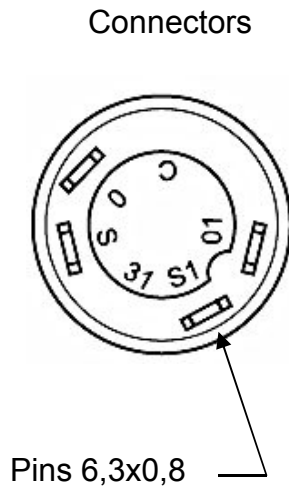
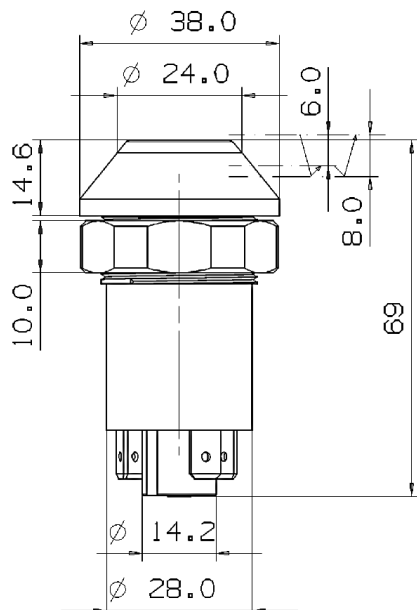
Switch: „ Lifting / Lowering “

Pneutron-Part No.: 11245170XX

MASSEY FERGUSON No.: 3388402M1



Knob with symbol „Lifting / Lowering “(Part No.:):	11346520XX
Knob Colour:	green (matt)
Symbol – Colour:	black
Illumination:	no



Circuit diagram

