

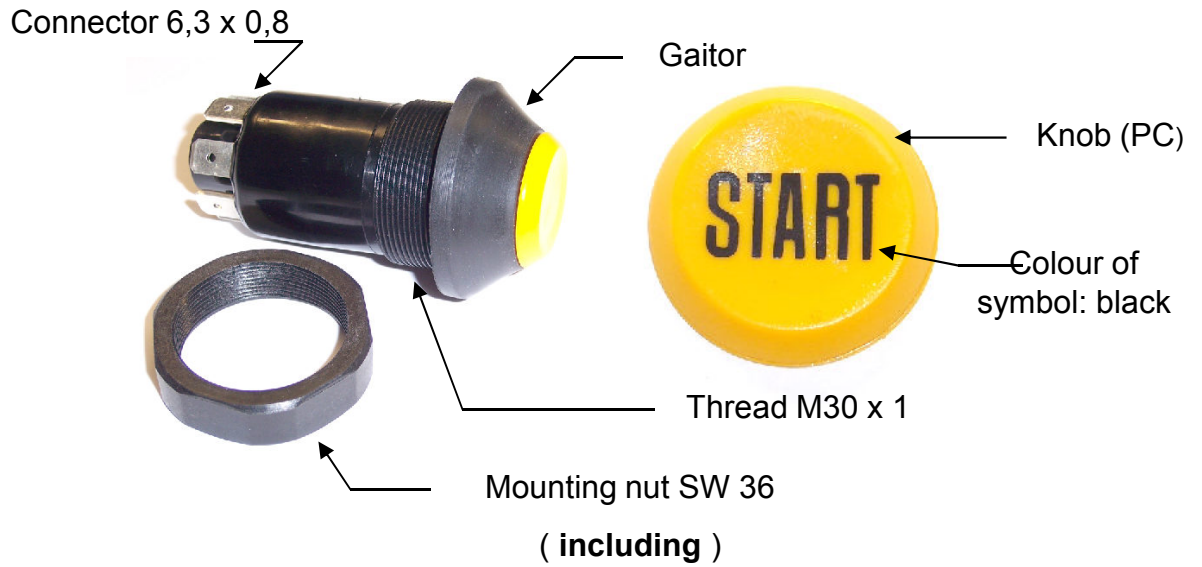


# Technical Specification

Push Switch without interlock function

Switch: „ Start “

Pneutron-Part No.: 11245030XX



Knob with symbol „Start“ ( Part No. : )

11316550XX

Knob Colour:

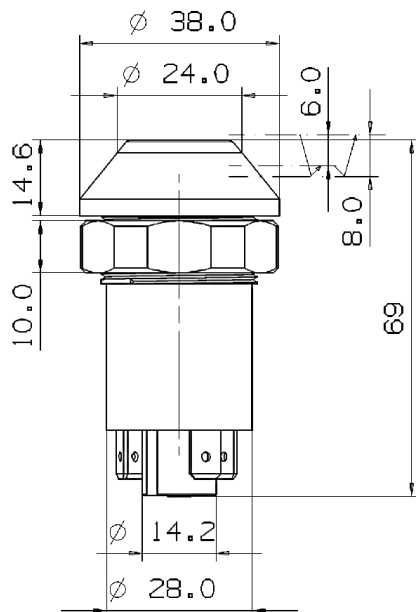
yellow ( matt )

Symbol – Colour:

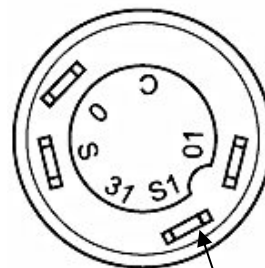
black

Illumination:

no

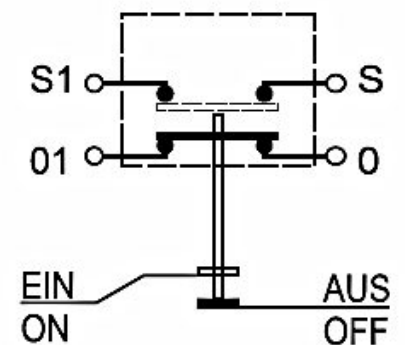


Connectors



Pins 6,3x0,8

Circuit diagram



ohne Arretierung

without locking