



# Technical Specification

Push Switch without interlock function

Switch: „ Lifting + Lowering “

Pneutron-Part No.: 11275100XX

Connector 6,3 x 0,8



Gaitor

Knob (PC)

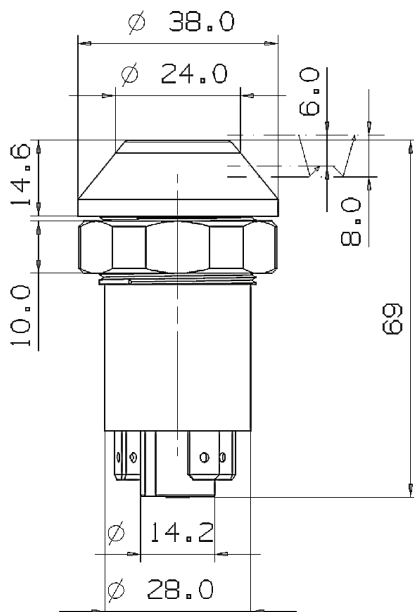
Colour of symbol: black

Thread M30 x 1

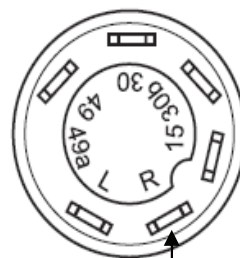
Mounting nut SW 36

( including )

Knob with symbol „ Lifting + Lowering“ ( Part No.):	11316520XX
Knob Colour:	yellow ( matt )
Symbol – Colour:	black
Illumination lamp:	12 V / 1,2 W

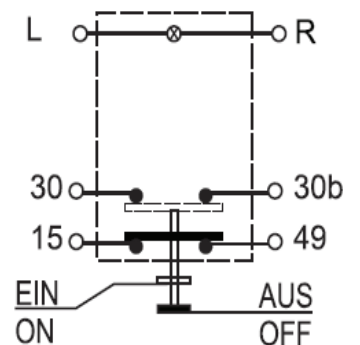


Connectors



Pins 6,3x0,8

Circuit diagram



ohne Arretierung  
without locking