



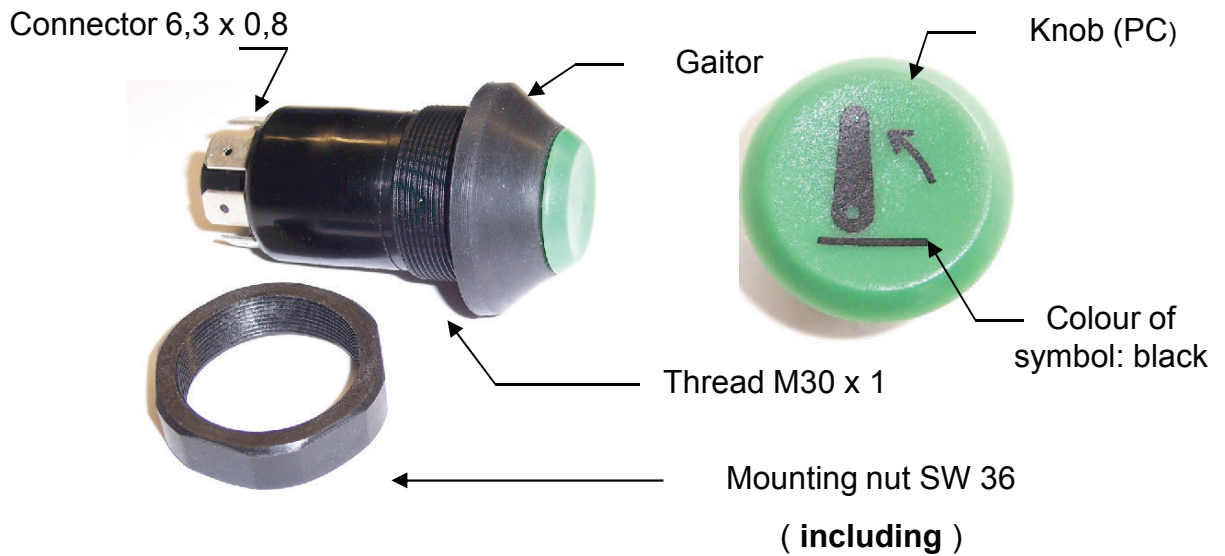
Technical Specification

Push Switch without interlock function

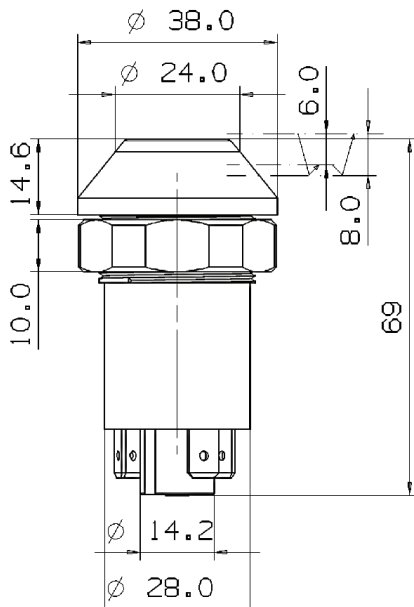
Switch: „Lifting“

Pneutron-Part No.: 11245630XX

CNH No.: 1-40-258-061



Knob with symbol „Lifting“ (Part No.:):	11346310AX
Knob Colour:	green (matt)
Symbol – Colour:	black
Illumination:	no



Connectors



Pins 6,3x0,8

Circuit diagram

