

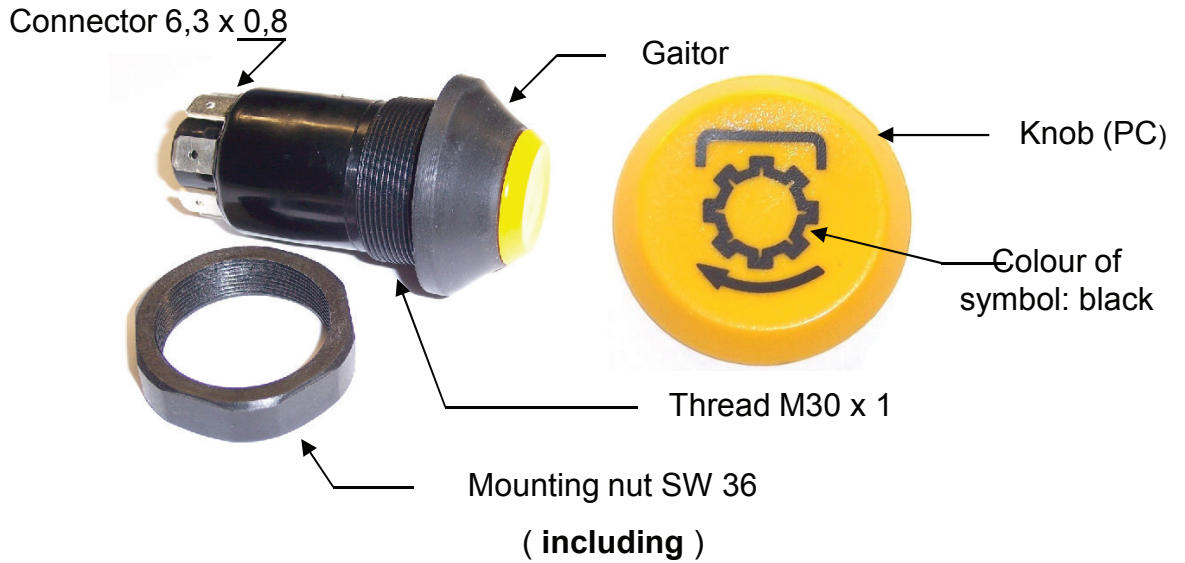
Technical Specification

Push Switch without interlock function

Switch: „Gearshift“

Pneutron-Part No.: 11245600XX

CNH No.: 1-40-258-046

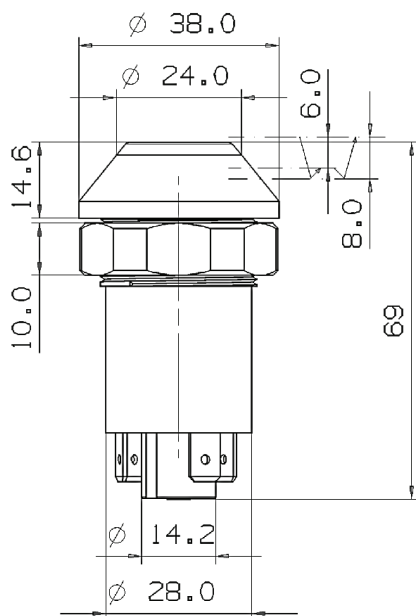


Knob with symbol „Gearshift“ (Part No.): 11316640XX

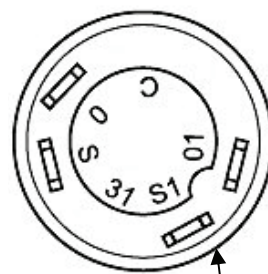
Knob Colour: yellow (matt)

Symbol – Colour: black

Illumination: no

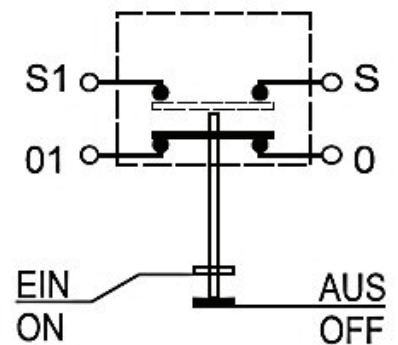


Connectors



Pins 6,3x0,8

Circuit diagram



ohne Arretierung
without locking