



# Technical Specification

Push Switch with interlock function

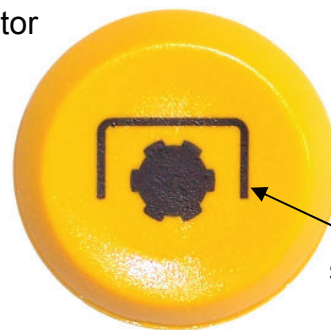
Switch: „ Tractive unit off “

Pneutron-Part No.: 11175390XX

Connector 6,3 x 0,8



Gaitor



Knob (PC)

Colour of symbol: black

Thread M30 x 1

Mounting nut SW 36

( including )

Knob with symbol „ Tractive unit off “ ( Part No. ): 11316330AX

11316330AX

Knob Colour:

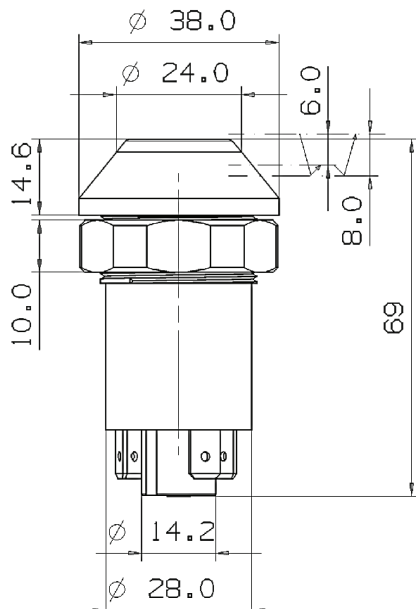
yellow ( matt )

Symbol – Colour:

black

Illumination lamp:

12 V / 1,2 W

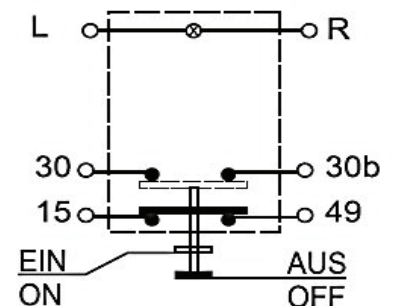


Connectors



Pins 6,3x0,8

Circuit diagram



mit Arretierung  
with locking